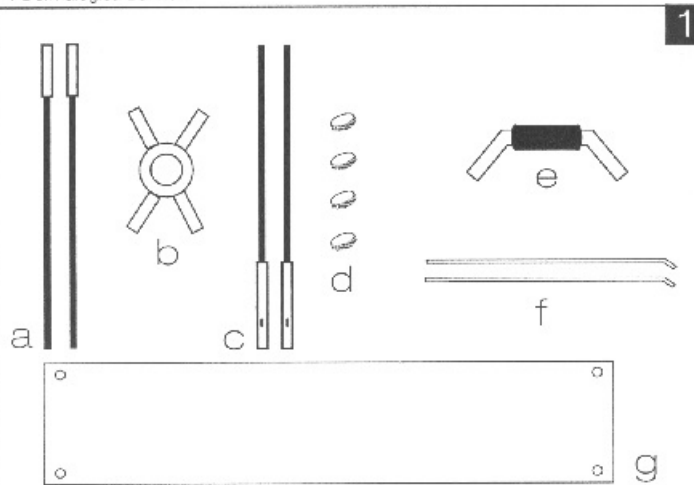


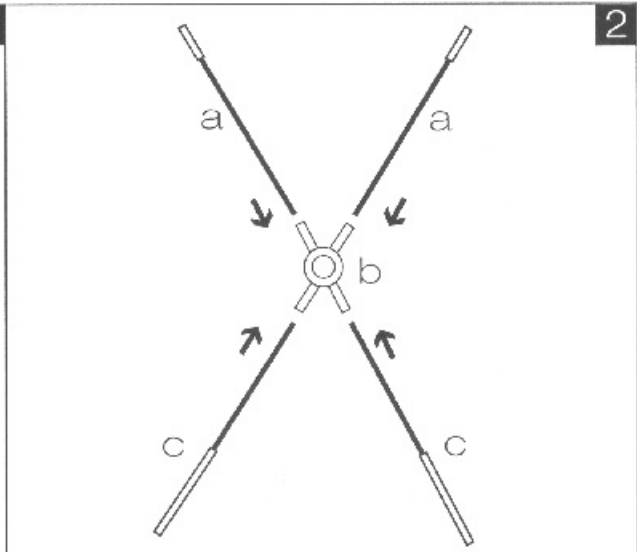
POP-03U

Total Parts:
 12 pieces of frame hardware (including 4 metal screw caps)
 1 Dermalogica Banner



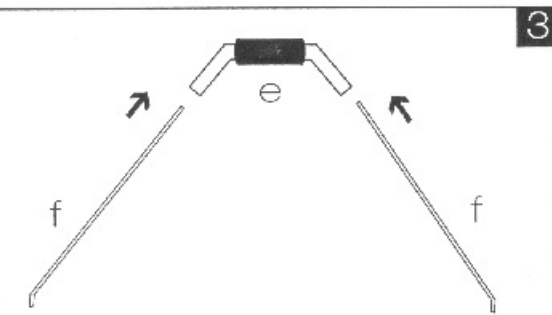
1

STEP 1: Remove the 12 pieces of frame hardware (including 4 screw caps) from the bag and lay the parts on the floor according to the diagram.
 The bottom legs, "c," have the longer piece of metal with a slot behind each screw, for inserting the base.
 Also, make sure to unscrew all four screw caps if they are currently screwed onto the legs.



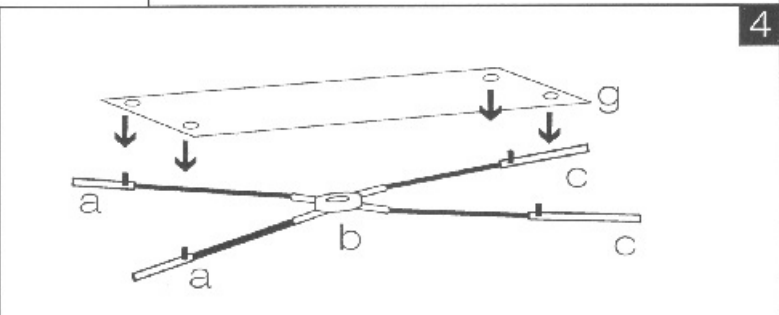
2

STEP 2: Insert both top legs (parts "a") into part "b" (this is the top of the banner frame). Insert both bottom legs (parts "c") into part "b" (this is the bottom of the banner frame).



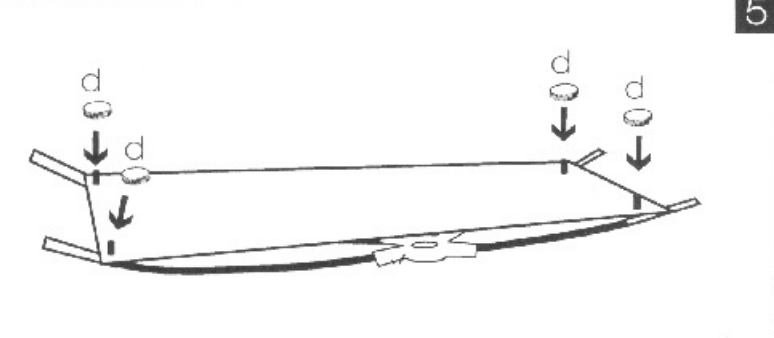
3

STEP 3: Assemble base by screwing in both "f" parts into part "e." Make sure hooks at the end are facing up, in the same direction, and set aside.



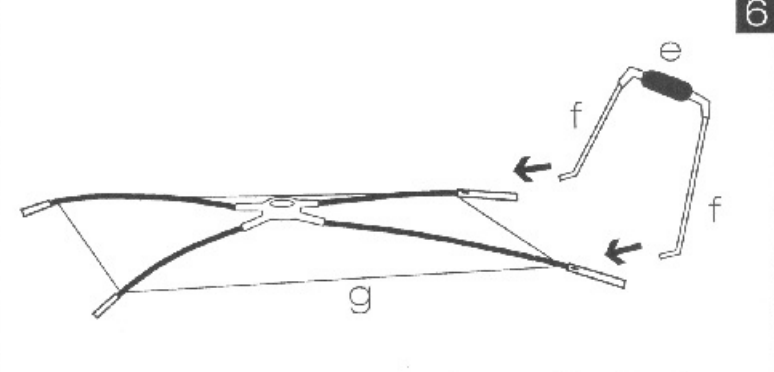
4

STEP 4: Lay banner, face-up, over the frame, making sure the top of the banner is resting over the top of the frame (parts "a"). Stretch banner over all 4 screws - this will take a little effort and the frame will bend to allow the banner to fit over all four screws.



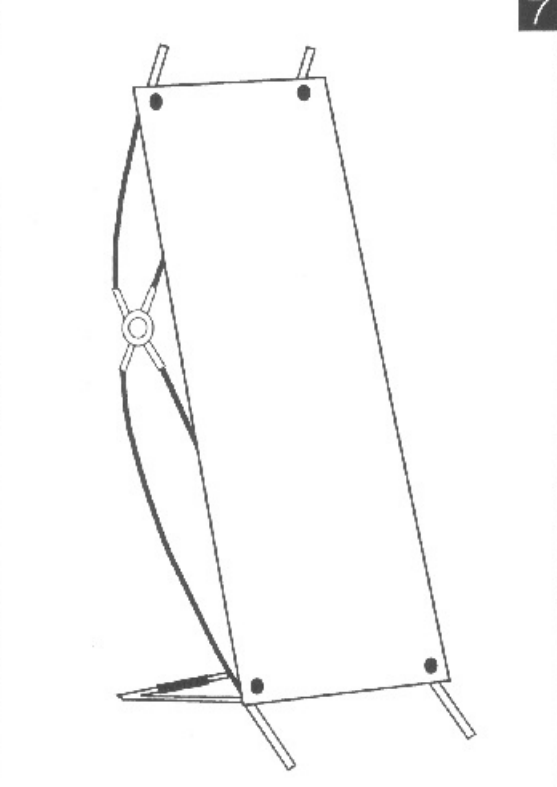
5

STEP 5: Tighten the 4 metal caps (part "d") over each screw to secure the banner on the frame.



6

STEP 6: Flip banner over, face down on floor, and slide base upwards into slots on the bottom legs (parts "c"). You may need to unscrew the screws a little, to allow parts "f" to fit all the way into the slots.



7

STEP 7: Stand banner upright on base. Voila!